

Flame Arrester

Vertical, in-line, deflagration



Model 300

Product Description

StorageTech™ Model Number 300 Flame Arrester is a safety device that has a flame barrier with a large number of defined passage gaps, whose gap cross section is set with regard to the properties of the flowing gas, is cooled effectively and secured against a flame flashback in the case of continuous combustion. They are typically mounted to a flange or pipe, which connects the vapor space of a storage tank or a pipeline.

StorageTech™ Model 300 Vertical In-line Deflagration Flame Arrester is intended for pipeline installation close to the source of any potential ignition source by minimising flame speed and the development of an explosive pressure.

The flame quenching element is designed to be three or four times the area of the pipe in which it is installed, and is assembled between two flanged reducing spools.

Flame Arresters are designed to effectively prevent the passage of flame. StorageTech Flame Arresters consist of flame arrester disks made of coiled, corrugated metal strips, spacers and a housing.



StorageTech provides the high quality and reliable solutions for your needs with 40 years of experience. Your investments will be much safer with StorageTech™

Flame Arrester solutions, which are completely produced in accordance with international norms.



Standard Sizes	1" to 12" DN25 to DN300
Body / Flanges	1- Carbon steel 2- Stainless steel AISI 304 -L or 316-L 3- Aluminium 4- Customer Specification
Flange Drilling	ANSI #150, PN16, and Special
Flame Element	Stainless steel AISI 304 -L or 316-L
O-ring Seal	Nitrile, Viton, Special
Screen	SS 304
Paint Finish	1- Powder Coating, Colour RAL 9006 2- Epoxy Paint, Colour RAL 9006 3- Customer Specification
ATEX Cert	Ex II 1/2 G IIA , G IIB

In-Line Vertical Deflagration Arresters

Flame arresters are designed to inhibit flame propagation in gas piping systems and to protect low pressure tanks containing flammable liquids. Arresters protect low flash point liquids from external sources of heat and ignition, increasing fire protection and safety.

Under normal operation the flame element allows the bi-directional flow of air and flammable vapour, however it introduces additional pressure loss, and this must be considered in the design of the system. If a fire or ignition occurs external to the equipment and ignites the flammable discharge, the flame arrester will quench the leading fire by absorbing and dispersing the heat as it passes through the element.

The Model 300 Deflagration flame arrester is suitable for quenching subsonic flames and should be mounted in the vertical plane, close to the source of any potential ignition. It

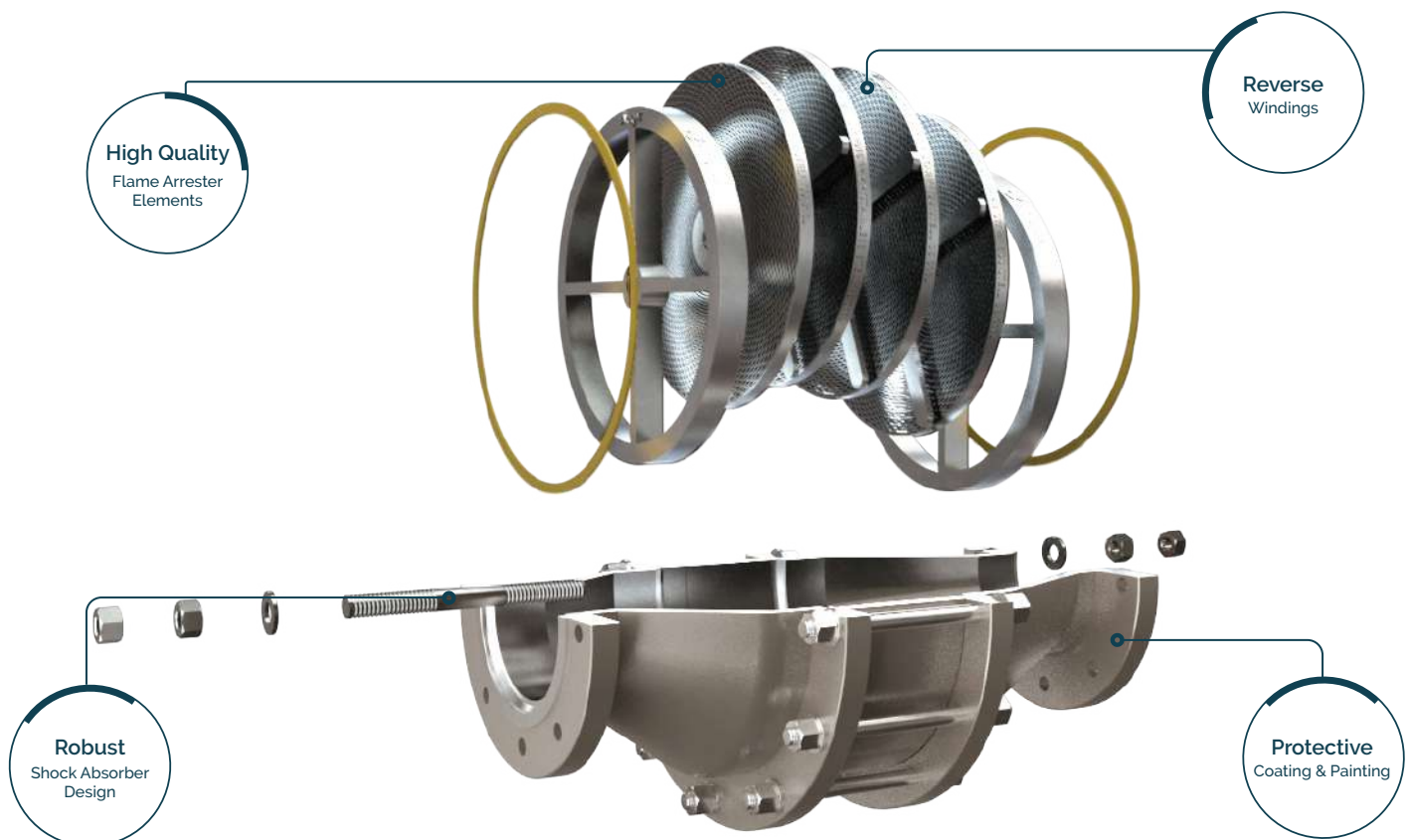
Design & Manufacturing Specifications



The size of the vent will be calculated in accordance with API Standard 2000-Venting Atmospheric and Low-Pressure Storage Tanks or other international standards.

Standard Compliance

In-Line Deflagration Flame Arresters has been type-tested to EN ISO 16852 and approved according to ATEX Directive 2014/34/EU.



Key Features

- StorageTech™ PW Model 300 internal materials are AISI 304 or 316 stainless steel.
- Easy to clean internal materials.
- Easy to install. You do not need a special tool or experience to install the StorageTech Flame Arrester Model 300.
- StorageTech™ PVV Model 300 comes with the paint color you choose.
- Standard manufacturing comes with ANSI 150# flange; however other flange types are available on request.
- Protection cap is manufactured from aluminum material.

In-line with Weco Connection Detonation

Depending on the purpose of use in the field, connection types in flame arresters can be provided with hammer unions to meet the needs of pipelines. With these fasteners, which are used in areas where fast plug-in applications are required during operation, the maintenance of flame arresters on the relevant lines can be carried out without requiring any additional connection materials.

The oil and gas sector uses WECO couplings, also known as HAMMER LUG unions, to quickly connect pipes and flexible hose assemblies.

No additional equipment are required to tighten and loosen HAMMER LUG unions—just a hammer, as the name implies.

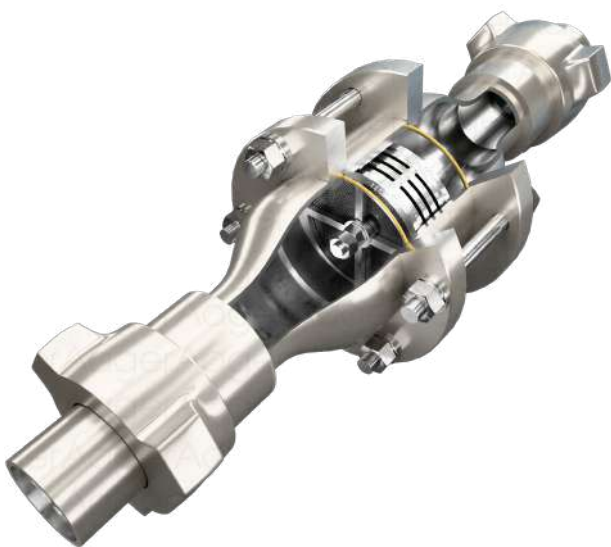
The components of a HAMMER LUG union are a coupler with an inner cone and a male thread, a ball-shaped fitting with a male half and a female thread nut that secures the ball-shaped fitting to the coupler's cone. Depending on the kind, a primary sealing (metal/metal) is performed by a tight contact of the ball end with the cone, or the sealing is accomplished by a second rubber seal (o-ring or lip seal).

The coupling's (the nut and coupler's) trapezoidal ACME thread is included (standard or modified). They either weld in connections or connect to an installation using NPT female thread end connectors.

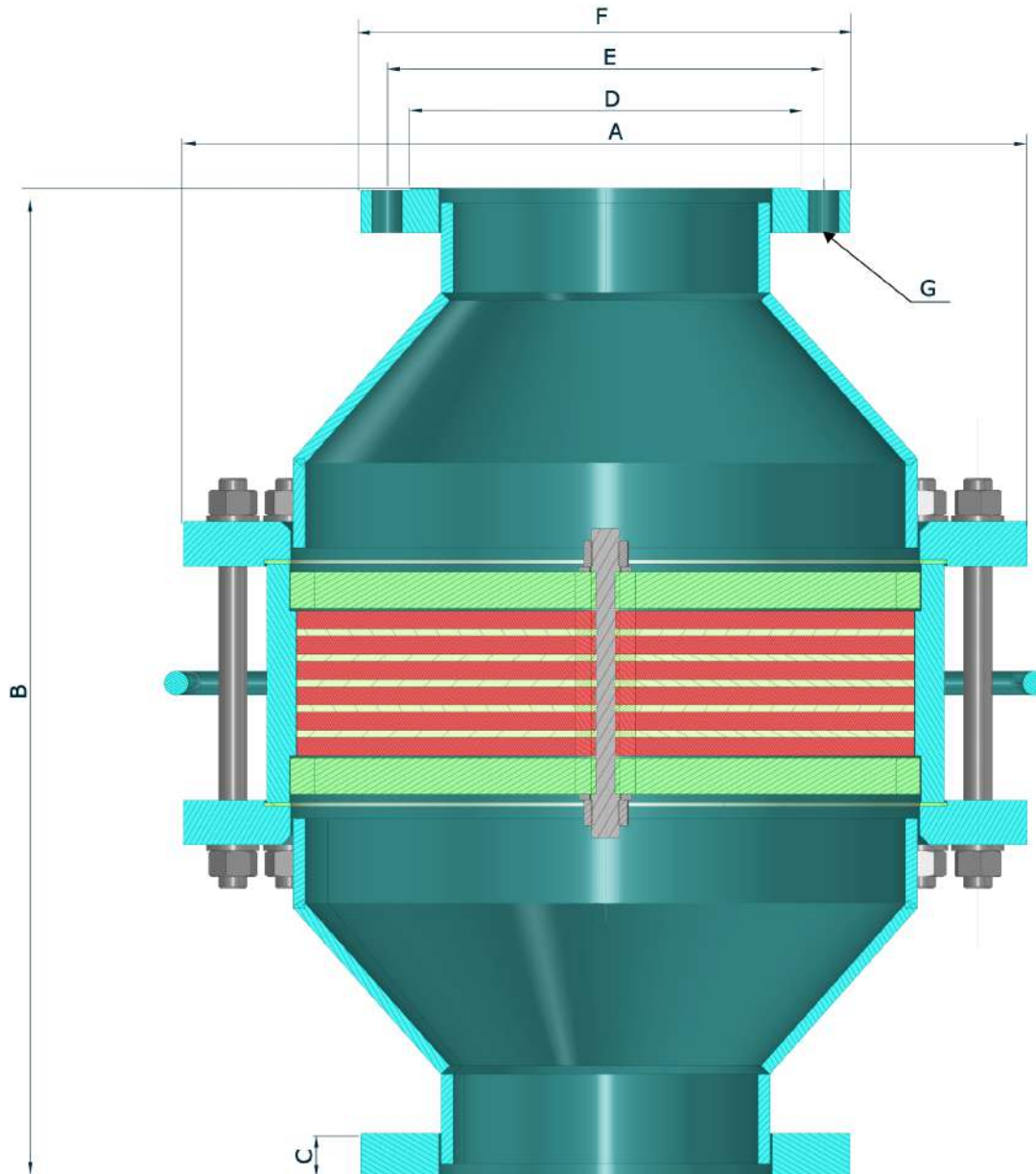


The following pertinent industry standards are met or exceeded by all union products: **NACE, ISO, DNV, API, ASTM A-105, ASTM A29, ASTM A536 Grade 65-45-12, and ASME B1.20.1.**

Hammer Unions are used to join heavy-duty, high-pressure flow lines. They may frequently be found in strip mines, chemical factories, maritime dredging vessels, and the oil sector (depending on model, for sand slurry, oil, water, steam, etc).



Technical Drawing



Weight & Dimensions

SIZE	NPS	DN	A	B	C	D		E		F		G		TOTAL WEIGHT (kg)				
						ANSI 150# RF	PN 16	ANSI 150# RF	PN 16	ANSI 150# RF	PN 16	ANSI 150# RF	PN 16	WELDED		CASTING		
													CS	SS	AL	CS	SS	
2"	50	125	180	320	18	92	102	120.6	125	152	165	Ø19x4	Ø18x4	15-18	15-18	5-7	15-20	15-20
3"	80	200	260	396	18	127	138	152.4	160	190	200	Ø19x4	Ø18x8	33-38	33-38	11-14	36-42	36-42
4"	100	250	315	435	18	157.2	158	190.5	180	229	220	Ø19x8	Ø18x8	45-50	45-50	21-24	46-52	46-52
6"	150	375	380	516	18	216	212	241.3	240	279	285	Ø22x8	Ø22x8	62-68	62-68	33-37	80-90	80-90
8"	200	500	455	820	18	270	268	298.4	295	343	340	Ø22x8	Ø22x12	115-125	115-130	46-52	120-140	120-140
10"	250	625	600	974	22	324	320	362	355	406	405	Ø25.4x12	Ø26x12	165-180	165-185	90-105	215-250	215-250
12"	300	750	750	1114	22	381	378	431.8	410	483	460	Ø25.4x12	Ø26x12	250-280	250-290	165-190	350-390	350-390

A	•Element Diameter
A-H	•Element Height
B	•Element Housing Diameter
B-H	•Element Housing Height
C	•Element Holder Diameter
C-H	•Element Holder Height
D	•Spacer Diameter
D-H	•Spacer Height

MODEL	IIA DEFLAGRATION - MODEL 301									
	2"	3"	4"	6"	8"	10"	12"	14"	16"	
A	100	150	200	250	300	500	600	700	800	
A-H	10	10	10	10	10	15	15	15	15	
B	100	200	250	280	350	550	700	800	900	
B-H	90	90	90	100	100	200	200	200	200	
C	100	150	200	250	300	500	600	700	800	
C-H	10	10	10	20	20	20	20	20	20	
D	100	150	200	250	300	500	600	700	800	
D-H	6	6	6	6	6	6	6	6	6	

MODEL	IIB DEFLAGRATION - MODEL 301							
	2"	3"	4"	6"	8"	10"	12"	
A	100	200	250	300	400	500	600	
A-H	30	30	30	30	30	30	30	
B	150	250	300	350	450	550	700	
B-H	131	151	151	212	232	232	232	
C	100	200	250	300	400	500	600	
C-H	18	28	28	28	38	38	38	

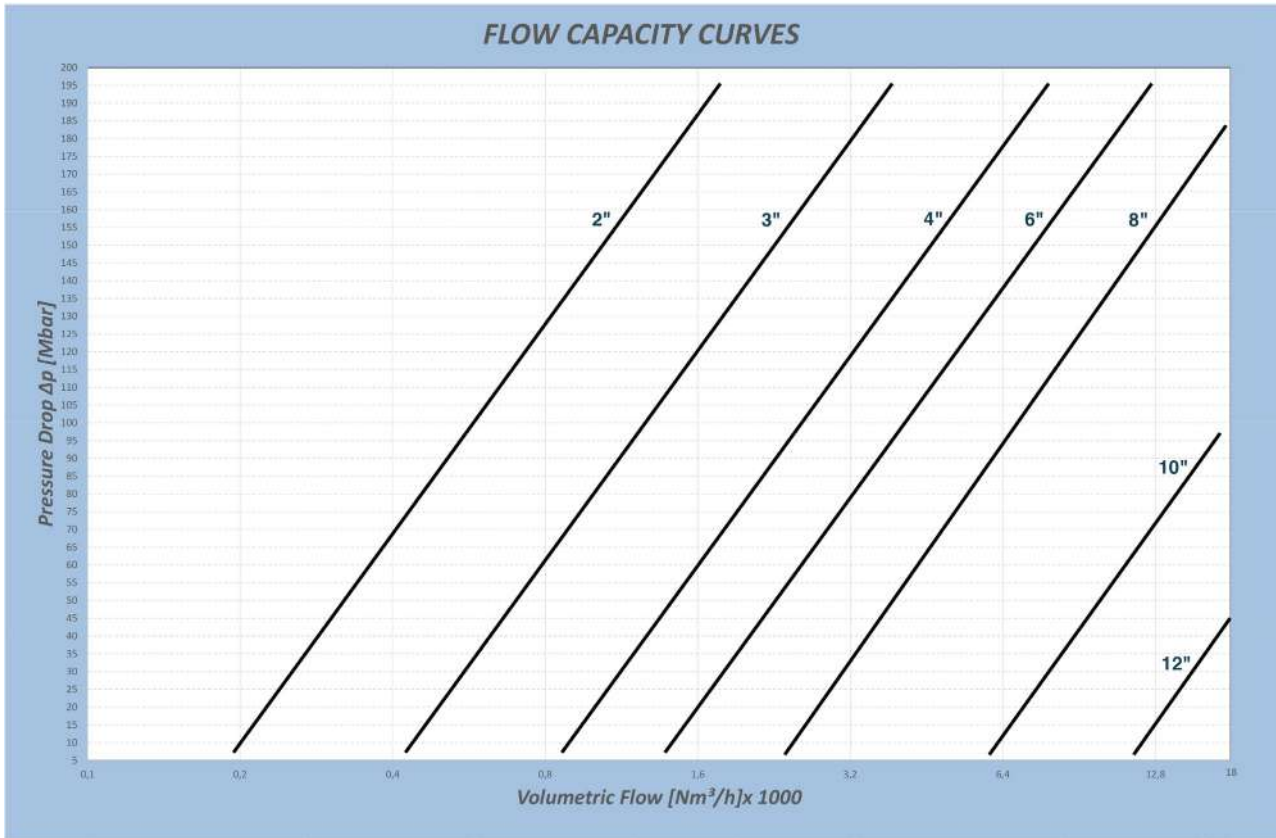
Flow Capacity Tables

Pressure Drops (mbar)

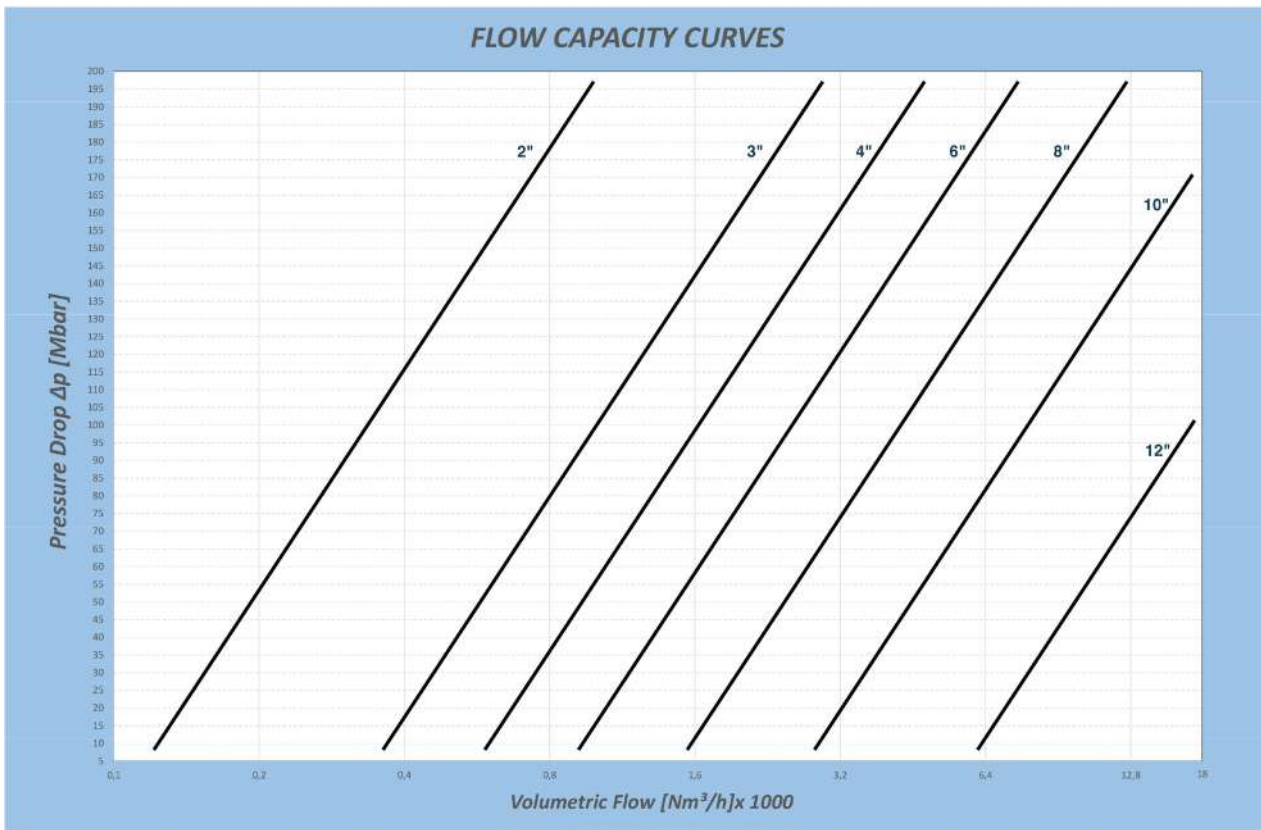
Gas Group	Element	Pipe Size	Flow in Nm ³ /h Air																		
			5	10	15	20	30	40	50	60	70	80	90	100	150	200	300	400	500		
IIA	100/10/54	DN50	2"	<0.5	<0.5	<0.5	<0.5	<0.5	<0.5	<0.5	<0.5	<0.5	<0.5	<0.5	0.7	0.9	2.2	3.8	8.8	15.6	26.2
	150/10/54	DN80	3"	<0.5	<0.5	<0.5	<0.5	<0.5	<0.5	<0.5	<0.5	<0.5	<0.5	<0.5	<0.5	0.5	0.8	1.7	2.6	4.8	
	200/10/54	DN100	4"	<0.5	<0.5	<0.5	<0.5	<0.5	<0.5	<0.5	<0.5	<0.5	<0.5	<0.5	<0.5	<0.5	<0.5	<0.5	<0.5	0.7	1.3
	250/10/54	DN150	6"	<0.5	<0.5	<0.5	<0.5	<0.5	<0.5	<0.5	<0.5	<0.5	<0.5	<0.5	<0.5	<0.5	<0.5	<0.5	<0.5	<0.5	<0.5
	300/10/54	DN200	8"	<0.5	<0.5	<0.5	<0.5	<0.5	<0.5	<0.5	<0.5	<0.5	<0.5	<0.5	<0.5	<0.5	<0.5	<0.5	<0.5	<0.5	<0.5
	500/15/54	DN250	10"	<0.5	<0.5	<0.5	<0.5	<0.5	<0.5	<0.5	<0.5	<0.5	<0.5	<0.5	<0.5	<0.5	<0.5	<0.5	<0.5	<0.5	<0.5
600/15/54	DN300	12"	<0.5	<0.5	<0.5	<0.5	<0.5	<0.5	<0.5	<0.5	<0.5	<0.5	<0.5	<0.5	<0.5	<0.5	<0.5	<0.5	<0.5	<0.5	
IIB	100/30/35	DN50	2"	<0.5	<0.5	<0.5	<0.5	<0.5	<0.5	<0.5	0.7	1.1	1.4	1.8	2.3	5.1	9.2	20.3	36.8	56.2	
	200/30/35	DN80	3"	<0.5	<0.5	<0.5	<0.5	<0.5	<0.5	<0.5	<0.5	<0.5	<0.5	<0.5	<0.5	0.5	1.1	2.8	5.2	7.4	
	250/30/35	DN100	4"	<0.5	<0.5	<0.5	<0.5	<0.5	<0.5	<0.5	<0.5	<0.5	<0.5	<0.5	<0.5	<0.5	<0.5	0.9	1.9	3.2	
	300/30/35	DN150	6"	<0.5	<0.5	<0.5	<0.5	<0.5	<0.5	<0.5	<0.5	<0.5	<0.5	<0.5	<0.5	<0.5	<0.5	<0.5	<0.5	0.7	1.2
	400/30/35	DN200	8"	<0.5	<0.5	<0.5	<0.5	<0.5	<0.5	<0.5	<0.5	<0.5	<0.5	<0.5	<0.5	<0.5	<0.5	<0.5	<0.5	<0.5	<0.5
	500/30/35	DN250	10"	<0.5	<0.5	<0.5	<0.5	<0.5	<0.5	<0.5	<0.5	<0.5	<0.5	<0.5	<0.5	<0.5	<0.5	<0.5	<0.5	<0.5	<0.5
600/30/35	DN300	12"	<0.5	<0.5	<0.5	<0.5	<0.5	<0.5	<0.5	<0.5	<0.5	<0.5	<0.5	<0.5	<0.5	<0.5	<0.5	<0.5	<0.5	<0.5	

Gas Group	Element	Pipe Size	Flow in Nm ³ /h Air																	
			600	700	800	900	1000	2000	3000	4000	5000	6000	7000	8000	9000	10000	12000	16000	18000	
IIA	100/10/54	DN50	2"	39.3	51.2	68.5	85.2	106.8												
	150/10/54	DN80	3"	7.1	9.2	12.2	15.9	19.2	79.3	189.4										
	200/10/54	DN100	4"	1.8	2.9	3.4	4.1	5.2	20.9	48.3	86.5	139.2								
	250/10/54	DN150	6"	0.7	0.9	1.2	1.5	2.2	7.1	16.8	30.1	45.8	76.9	93.2	123.5	157.1	197.3			
	300/10/54	DN200	8"	<0.5	<0.5	0.5	0.8	1.1	3.9	9.2	15.5	25.1	36.3	49.7	65.2	83.3	103.5	151.4		
	500/15/54	DN250	10"	<0.5	<0.5	<0.5	<0.5	<0.5	0.7	1.9	2.7	5.3	7.4	9.2	12.5	15.3	19.2	27.8	49.4	63.8
600/15/54	DN300	12"	<0.5	<0.5	<0.5	<0.5	<0.5	<0.5	0.8	1.4	2.3	3.4	4.9	6.2	7.1	8.7	13.2	24.4	30.2	
IIB	100/10/54	DN50	2"	83.7	115.3	151.5	195.4	245.6												
	150/10/54	DN80	3"	10.1	14.2	18.6	23.2	29.5	118.2											
	200/10/54	DN100	4"	3.9	5.1	7.2	8.8	11.3	45.5	103.2	188.4									
	300/30/35	DN150	6"	1.8	2.3	3.3	4.1	5.4	20.1	45.2	80.3	128.5	187.6							
	400/30/35	DN200	8"	<0.5	0.7	1.3	1.6	2.3	8.2	17.4	30.8	49.3	71.3	97.6	128.2	165.3	206.4			
	500/30/35	DN250	10"	<0.5	<0.5	<0.5	<0.5	0.6	2.8	6.2	11.3	17.5	24.3	32.7	42.6	55.5	68.1	99.3	181.9	234.2
600/30/35	DN300	12"	<0.5	<0.5	<0.5	<0.5	<0.5	1.1	3.2	4.7	8.2	11.3	15.4	20.3	25.5	31.1	45.2	81.6	104.3	

Technical Drawing



In Line Def. 2A



In Line Def. 2B

Product Recommendations

Storagetech™ manufactures storage tank equipment, such as flame arresters, breather valves, gauge hatches, floating roofs, and floating suction pipe.



Flame Arrestor

End-Of-Line,
With Automatic
Opening Hood,
Deflagration

Model: 312

Storagetech™ Flame Arrestors (End-of-line, with Automatic Opening Hood) are passive devices that prevent the propagation of a flame or fire from entering into an opening in a pipeline or vessel discharging flammable vapor. As different from model 310, Model 312 end of line flame arrester's weather hood is designed to react fire instantly tanks to it's fusible link, which is melted during the fire and let the weather hood release the gas/fire to the atmosphere.



Pressure Vacuum Relief Valve With Flame Arrestor

End-Of-Line,
Weight Loaded,
Combination,
Atmospheric Deflagration
Proof

Model: 330

Storagetech™'s Model 330 Pressure Vacuum Relief Valve with Flame Arrestor provides protection to bulk storage tanks and vessels from over and under pressurization.



Flame Arrestor

Vertical,
In-Line,
Deflagration

Model: 300

Storagetech™'s Model 300 Vertical In-line Deflagration Flame Arrestor (also called flame arrester or fire arrester) is intended for pipeline installation close to the source of any potential ignition source by minimising flame speed and the development of an explosive pressure.



Flame Arrestor

Horizontal,
In-Line,
Detonation

Model: 321

Storagetech™'s Model 321 In-line Detonation Flame Arrestor (also called flame arrester or fire arrester) is designed for installation in gas pipelines. Detonation occurs when a flame travelling through the pipeline reaches supersonic velocities, usually as a result of the pipeline configuration or pipeline surface roughness. Changes in gas density and pressure causes the flame velocity to metamorphose from subsonic to supersonic.

Äger GmbH

Germany Head Office + R&D + Sales
Herzogspitalstraße 24
Munich 80331
Germany
+49 (0) 89 1250 15240
www.aager.de
sales@aager.de

Turkey Head Office + Sales
Ağaoğlu My Office 212
No: 3 B Blok /175
PK 34218 Güneşli – Bağcılar
Istanbul / Turkey
+90 212 485 40 07
+90 212 485 40 42
sales@aager.de
sales@storagetech.de

Turkey Factory + Engineering + R&D + Sales
Mersin Tarsus OSB.13.CD.NO:7
PK: 33540 Mersin, Turkey
+90 324 676 44 04
+90 324 676 44 03
sales@aager.de
sales@storagetech.de

UAE Sales + Warehouse
Jumeirah Lake Towers, X2 Tower 1906
P.O. Box: 123661 Dubai, UAE
+971 4 450 8051
+971 4 450 8041
sales@storagetech.de

KSA Sales + Warehouse
Q1-14, The Business Quarter,
King Faisal Road,
Al Khalidiyyah Al Janubiyah,
Dammam, KSA
+966138163471
sales@storagetech.de

data sheet series

Flame Arrester
Vertical, in-line, def.

Revision No: 05
ST-DS-FA.DF-04.25/V4
storagetech.de

April 2025

