

Non-Atmospheric Gauge Hatch



Model 220

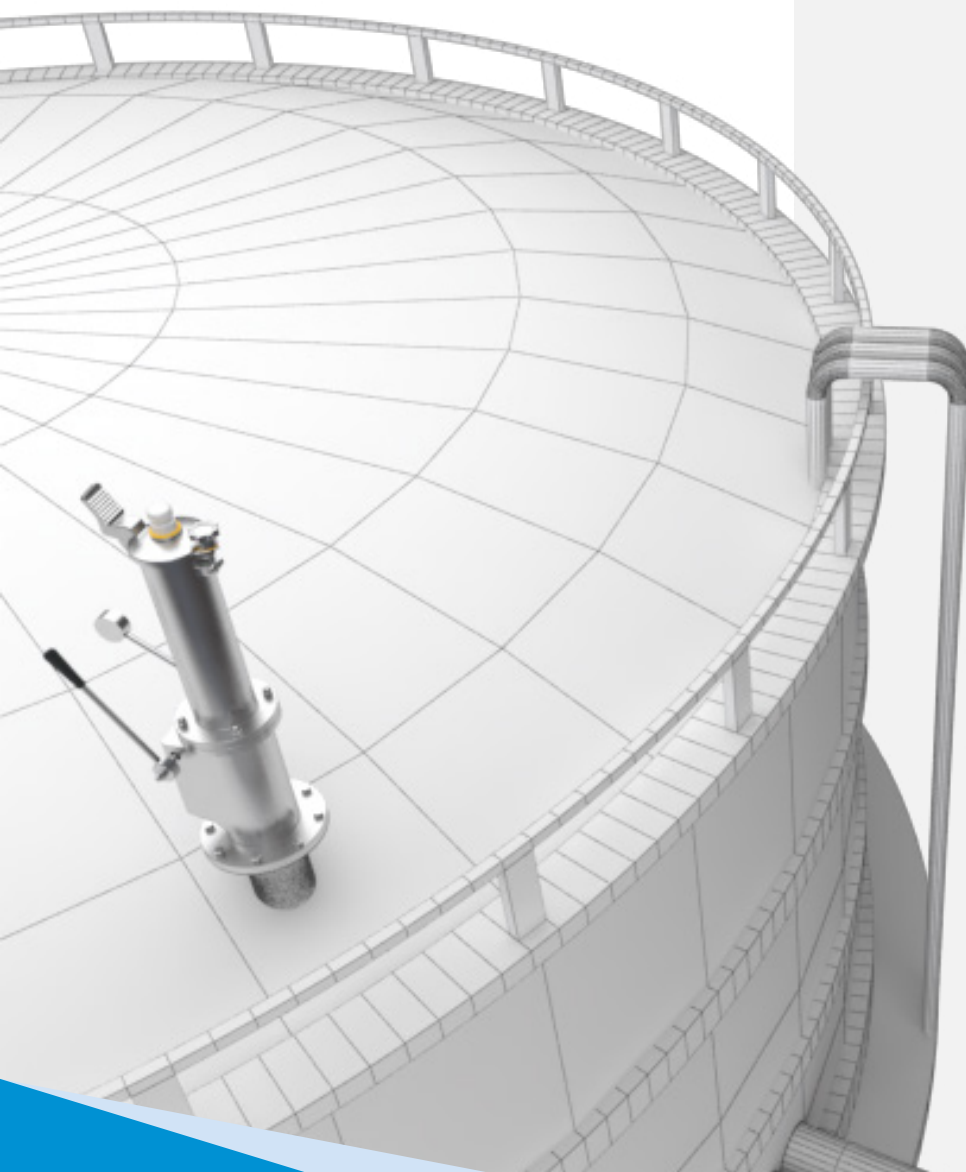
Product Description

Storagetech™ Non-Atmospheric Gauge Hatch Model Number 220 is a specially designed ultra performance gauge hatch that is unlike others on the market; it prevents liquid to be in contact with the atmosphere. It minimizes the vapor losses and odor.



This safety device has a special locking system that prevents unauthorized access to the storage tank.

They are typically mounted to a flange, which connects the vapor space of a storage tank.



Manufacturing Materials

Body Material / Arm / Disk / Cover	Gasket
Carbon Steel	P.T.F.E
304 S.S.	
316 S.S.	
Aluminum	

Certificates & Standards



Product Benefits

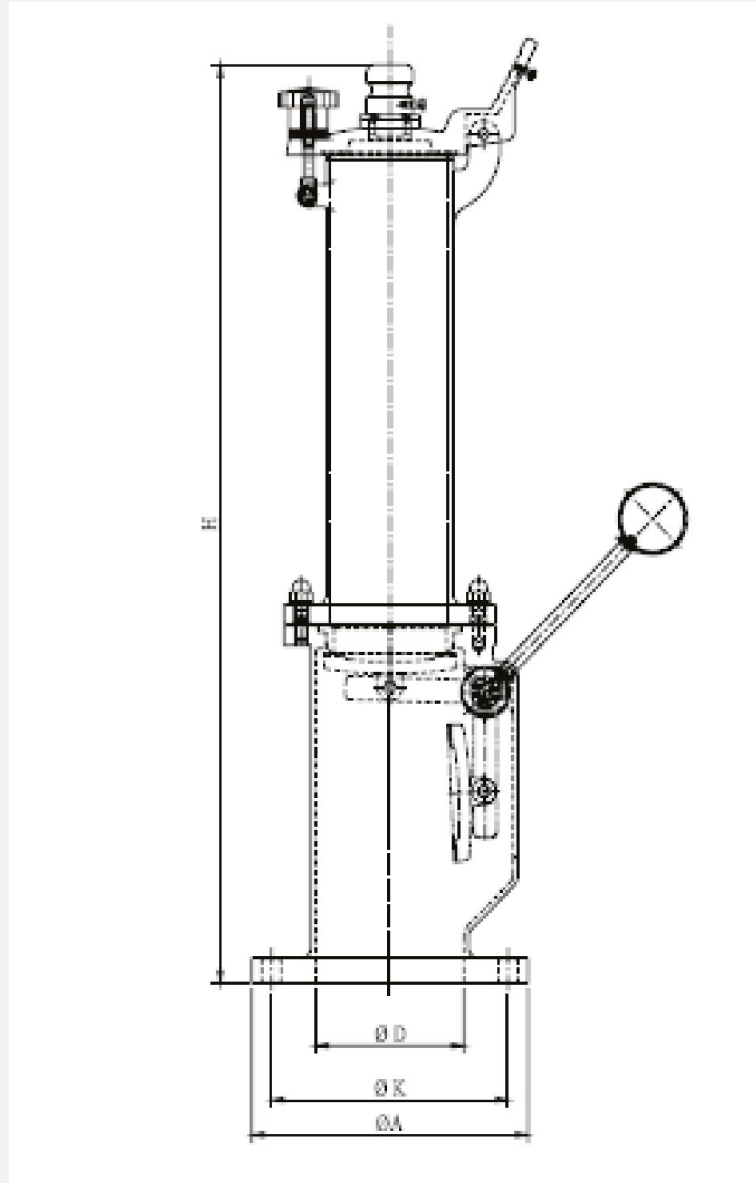
- StorageTech Sampling Gauge Hatch Closed to Atmosphere Model Number 220 prevents evaporation losses.
- Protect s environment. Model Number 220 prevents green house gasses from mixing the atmosphere, and minimizes the product odors around the surrounding area.
- PVV provide safety for your storage facility. Model Number 220 protects your storage tank.
- Provides tank access where manual level gauging, temperature measurement or sampling is required.
- Lockable cover prevents unauthorized access to the storage tank.



Key Features

- StorageTech Model Number 220 provides Teflon seal for a longer service period, and reduces the spare cost.
- The Locking-system is durable against petrochemical vapors.
- Non-sparking design.
- Foot pedal helps you to open the cover without using your hands, and lockable cover - Easy to install. You do not need a special tool or experience to install the StorageTech Model 220.
- StorageTech Model 220 comes with the paint color you choose.

Technical Drawing



Weight & Dimensions

Model	D Nominal Conn. Diameter Inch (mm)	A Outside Diameter Inch (mm)	H Height Inch (mm)	K Diameter Inch (mm)	Aluminum Unit Weight Lb (kg)
220	6" (150)	11" (280)	35-3/7" (899.5)	9-4/9" (240)	42 (19)

Äger GmbH

Germany Head Office + R&D + Sales

Herzogspitalstraße 24
Munich 80331
Germany
+49 89 9040 5200
www.aager.de
sales@aager.de

Turkey Head Office + Sales

Ağaoğlu My Office 212
No: 3 B Blok /175
P.K 34218 Güneşli – Bağcılar
Istanbul / Turkey
+90 212 485 40 07
+90 212 485 40 42
www.ergil.com
sales@ergil.com

Turkey Factory + Engineering + R&D + Sales

Mersin Tarsus OSB.13.CD.NO:7
P.K: 33540 Mersin, Turkey
+90 324 676 44 04
+90 324 676 44 03
sales@ergil.com

U.A.E. Sales + Warehouse

Jumeirah Lake Towers, X2 Tower 1906
P.O. Box: 123661 Dubai, U.A.E.
+971 4 450 8051
+971 4 450 8041
sales@ergil.com

data sheet series

Non-Atmospheric
Gauge Hatch

Revision No: 01
ST-DS-NA.GH-04.21/V1
storagetech.de

April 2021

Storagetech™ Website
QR Code

