

LPG & NH₃ Pressure Relief Valve



Model 165

Product Description

The LPG pressure relief valve is a special type of safety valve system used to control or limit the pressure in a system.

When the pressure exceeds the pre-set value, the valve is designed to quickly relieve excess pressure and allow full discharge.

All Storagetech LPG pressure relief valves internal and semi-internal incorporate this design.

Relief valves are designed for use in LP-Gas or anhydrous ammonia service only.



Product Features & Benefits

- Provides maximum protection against shearing and distortion.
- Long spring size designed to minimize stress and cracking
- Minimizing the possibility of stem jamming by using different materials for the shaft and guide
- Hex key broach provides easy installation and removal.
- Constructed of non-corrosive materials.

With 40 years of experience, Storagetech™ PVV systems offer effective solutions against unwanted evaporation and vacuums that may occur in tanks.

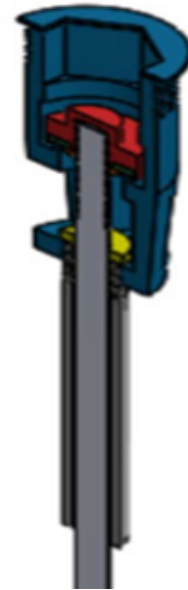
Thanks to PVV solutions produced completely in accordance with international norms, Storagetech™ is a reliable, sustainable and effective solution partner for your investments.



STANDARD MATERIALS OF CONSTRUCTION

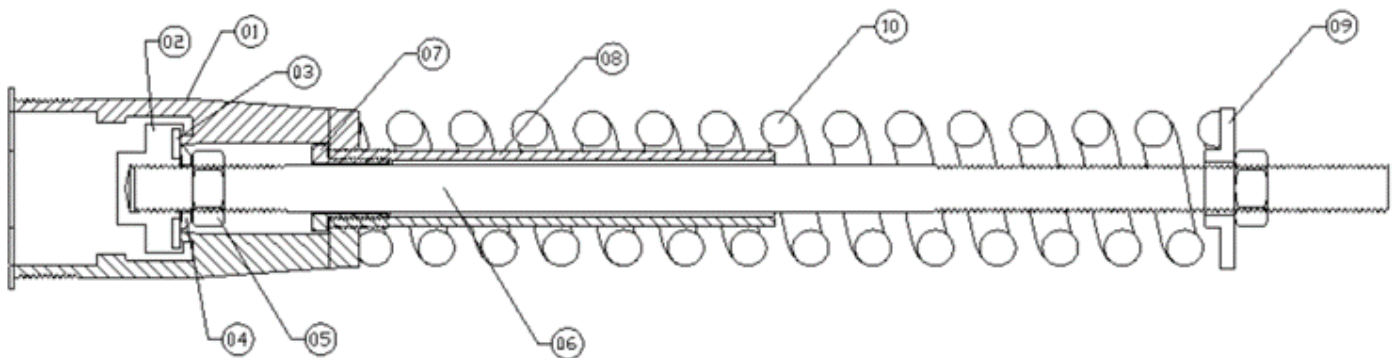


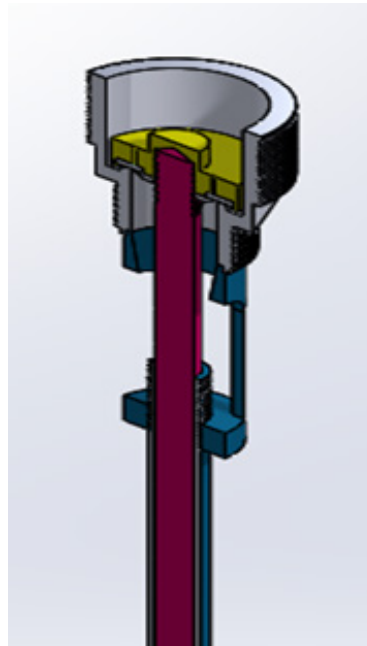
3" fully internal pressure relief valve manufacturing materials



2" fully internal pressure relief valve manufacturing materials

Marks	Quantity	Description	Materials
01	1	Body	SS316
02	1	Pressure clamp	SS316
03	1	Gasket	Viton
04	1	Gasket fixing ring	SS316
05	2	Nut	SS316
06	1	Rod	SS316
07	1	Guiding Nipel	SS316
08	1	Guiding Pipe	SS316
09	1	Spring fixing ring	SS316
10	1	Spring	SS302

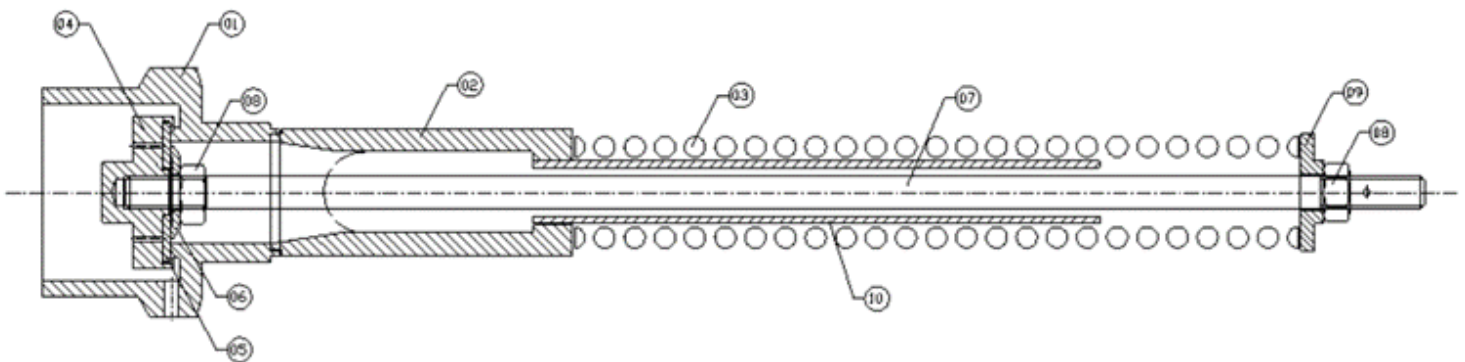




2" semi internal pressure relief valve manufacturing materials

Marks	Quantity	Description	Materials
01	1	Body	SS316
02	1	Pressure clamp	SS316
03	1	Gasket	Viton
04	1	Gasket fixing ring	SS316
05	2	M16 Nut	SS316
06	1	Rod	SS316
07	1	Guiding Nipel	SS316
08	1	Guiding Pipe	SS316
09	1	Spring fixing ring	SS316
10	1	Spring	SS302

Marks	Quantity	Description	Materials
01	1	Body	SS316
02	1	Lower Body	SS316
03	1	Spring	SS302
04	1	Pressure Clamp	SS316
05	1	Gasket	Viton
06	1	Gasket Fixing Ring	SS316
07	1	Rod	SS316
08	2	M20 Nut	SS316
09	1	Spring Fixing Ring	SS316
10	1	Guiding Pipe	SS316



FLOW RATE

Type	Start to Discharge Setting (psig)	Flow Rate (scfm)
3" inch fully internal	250	9205
3" inch fully internal	265	9435
2" inch fully internal	250	3345
2" inch fully internal	265	3512
2" inch semi internal	250	10101
2" inch semi internal	265	10271

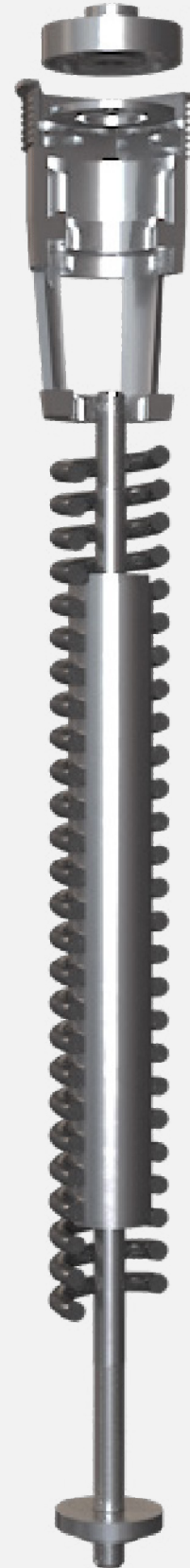
TEST PROCEDURE FOR PRESSURE RELIEF VALVE

Use only appropriate testing equipment designated by local regulations (API 2000, EN 14129). Calibrate all measuring devices according to device manufacturer schedule.

- Dimensional Checks Test
- Hydraulic Test
- Over torqueing Test
- Discharge Capacity Test
- Ageing Test
- Endurance Test
- Stress Cracking Test
- Leak Tightness Test
- Visual Inspection

Key Features

- StorageTech pressure relief valve internal materials are AISI 316 stainless steel.
- Easy to clean internal materials.
- Easy to install.
- Also available with a cap that is used to protect against dust and rain.
- Provides maximum protection against shearing and distortion.
- Long spring size designed to minimize stress and cracking.
- Minimizing the possibility of stem jamming by using different materials for the shaft and guide.
- Hex key broach provides easy installation and removal.
- Constructed of non-corrosive materials.



35.000
SQUARE METER
MANUFACTURING
SPACE



300+
EMPLOYEES



40
YEARS
OF EXPERIENCE



4 MAIN
OFFICE



200+
DIVERSE RANGE
PRODUCTS



30+
INTERNATIONAL
REPRESENTATIVES



QUALITY
CERTIFICATES



AT 4
REGIONS



Äger GmbH

Germany Head Office + R&D + Sales

Herzogspitalstraße 24
Munich 80331
Germany
+49 89 9040 5200
www.aager.de
sales@aager.de

Turkey Head Office + Sales

Ağaoğlu My Office 212
No: 3 B Blok /175
P.K 34218 Güneşli – Bağcılar
Istanbul / Turkey
+90 212 485 40 07
+90 212 485 40 42
www.ergil.com
sales@ergil.com

Turkey Factory + Engineering + R&D + Sales

Mersin Tarsus OSB.13.CD.NO:7
P.K: 33540 Mersin, Turkey
+90 324 676 44 04
+90 324 676 44 03
sales@ergil.com

U.A.E. Sales + Warehouse

Jumeirah Lake Towers, X2 Tower 1906
P.O. Box: 123661 Dubai, U.A.E.
+971 4 450 8051
+971 4 450 8041
sales@ergil.com

data sheet series

LPG & NH₃
Pressure Relief Valve

Revision No: 03
ST-DS-LPGV-12.21/V1
storagetech.de

December 2021

Storagetech™ Website
QR Code

