

Manhole Cover



Model 410

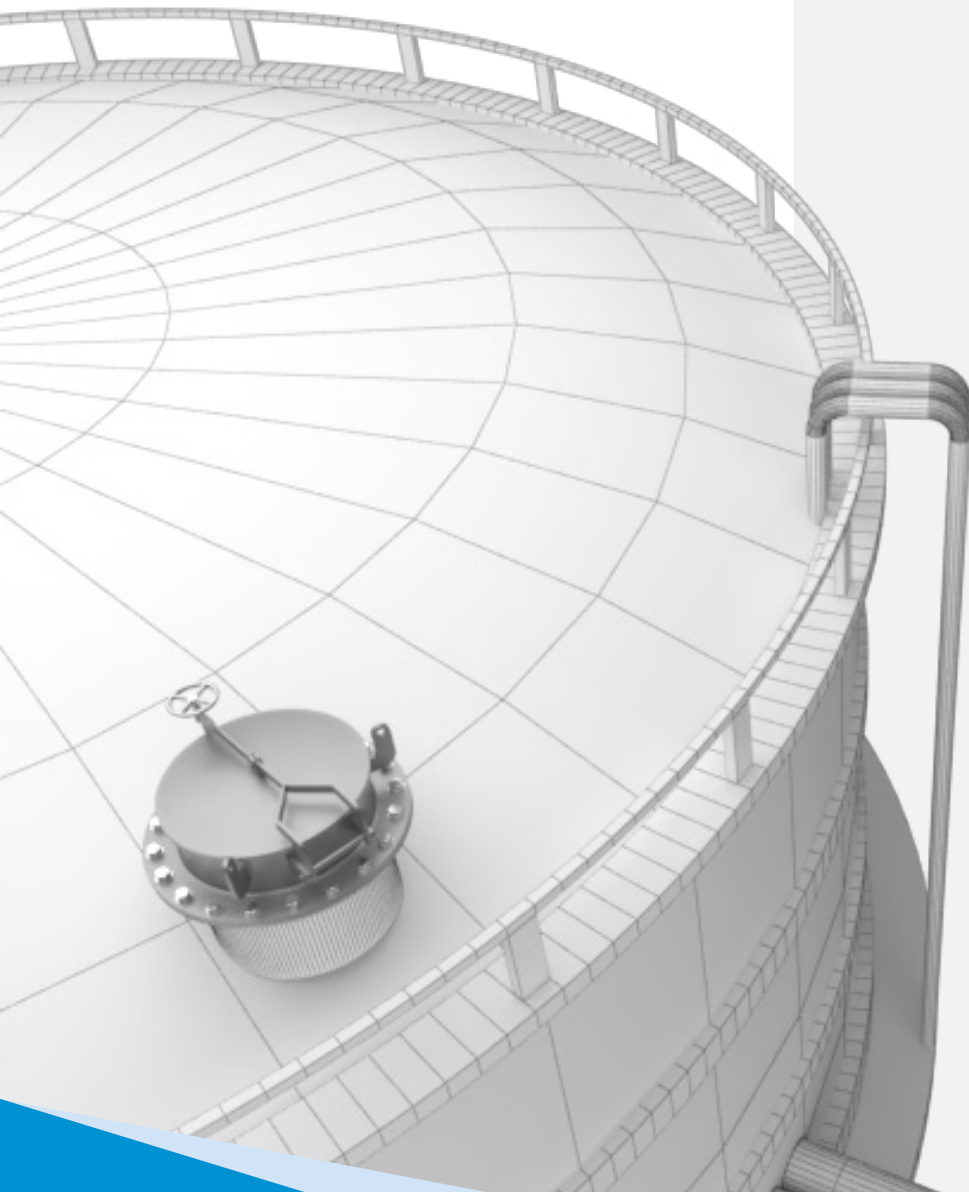
Product Description

Storagetech™ Model Number 410 Manhole Covers is offered for almost every application such as industrial tanks, mobile and stationary storage vessels, mixing tanks, large diameter conveyors, and bulk containers.



Model Number 410 defines an opening which allows access to the interior of the tanker or trailer for filling or cleaning of the tank.

They are typically mounted to a flange, which connects the vapor space of a storage tank, and locking systems secure the tank against external factors.



Manufacturing Materials

Base / Arm	Disk / Seal Support	Seal
Carbon Steel	Carbon Steel	Buna-N
304 S.S.	304 S.S.	FEP Teflon
316 S.S.	316 S.S.	Viton
	Aluminum	

Certificates & Standards



Product Benefits

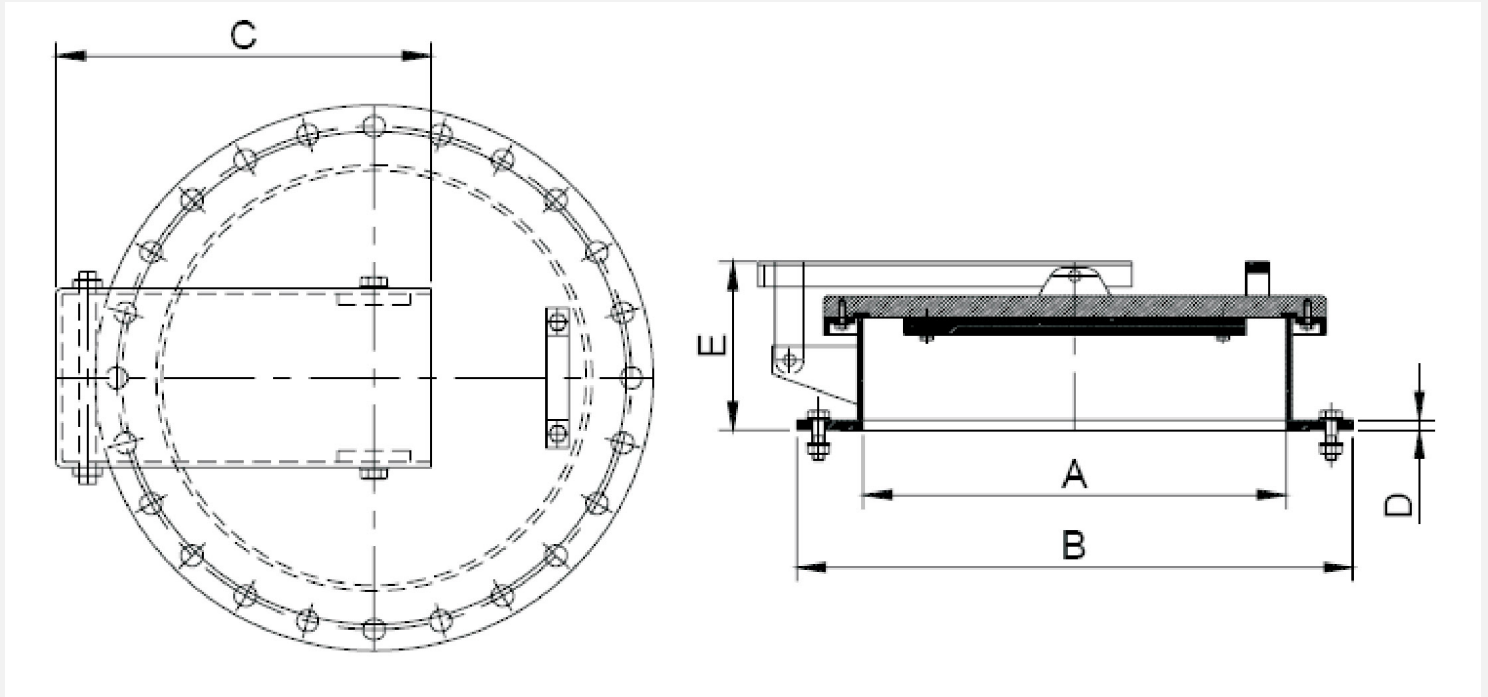
- StorageTech PVV Model 410 prevents evaporation losses.
- Special locking system protects the liquid and provides safety for your storage facility.
- Protects environment. PVV prevents green house gases from mixing the atmosphere, and minimizes the product odors around the surrounding area.



Key Features

- StorageTech PVV Model 400 is made of corrosion resistant materials with a long life duration.
- All emergency relief vents are tested and inspected after manufacturing.
- Easy to install. You do not need a special tool or experience to install the StorageTech PVV Model 400.
- StorageTech PVV Model 400 comes with the paint color you choose.

Technical Drawing



Weight & Dimensions

Model	A Size Inch (mm)	B ANSI Flange O.D. Inch (mm)	C Overall Length Inch (mm)	D Flange Thickness Inch (mm)	D Height Inch (mm)	C.S. Unit Weight Lb. (Kg)	S.S. Unit Weight Weight Lb. (Kg)
400	3 (120)	7.5 (190.5)	5 (125)	1/3 (109)	5.5 (143)	14 (6)	14 (6)
400	16 (406.4)	23.5 (596)	14 (365)	1 (25)	8 (200)	94 (43)	97 (44)
400	18 (457)	23.5 (596.9)	14 (365)	1 (25)	9.5 (246)	110 (50)	118 (54)
400	20 (508)	27.5 (698.5)	19 (490)	1 (25)	9.5 (246)	119 (54)	127 (58)
400	24 (609.6)	32 (813)	20.5 (525)	1 (25)	9.5 (246)	176 (80)	186 (84)
400	30 (762)	38 (975)	25.5 (650)	1-1/3 (36)	12 (300)	278 (125)	286.5 (129)

Äger GmbH

Germany Head Office + R&D + Sales

Herzogspitalstraße 24
Munich 80331
Germany
+49 89 9040 5200
www.aager.de
sales@aager.de

Turkey Head Office + Sales

Ağaoğlu My Office 212
No: 3 B Blok /175
P.K 34218 Güneşli – Bağcılar
Istanbul / Turkey
+90 212 485 40 07
+90 212 485 40 42
www.ergil.com
sales@ergil.com

Turkey Factory + Engineering + R&D + Sales

Mersin Tarsus OSB.13.CD.NO:7
P.K: 33540 Mersin, Turkey
+90 324 676 44 04
+90 324 676 44 03
sales@ergil.com

U.A.E. Sales + Warehouse

Jumeirah Lake Towers, X2 Tower 1906
P.O. Box: 123661 Dubai, U.A.E.
+971 4 450 8051
+971 4 450 8041
sales@ergil.com

data sheet series

Manhole Cover

Revision No: 01
ST-DS-MC-04.21/V1
storagetech.de

April 2021

Storagetech™ Website
QR Code

